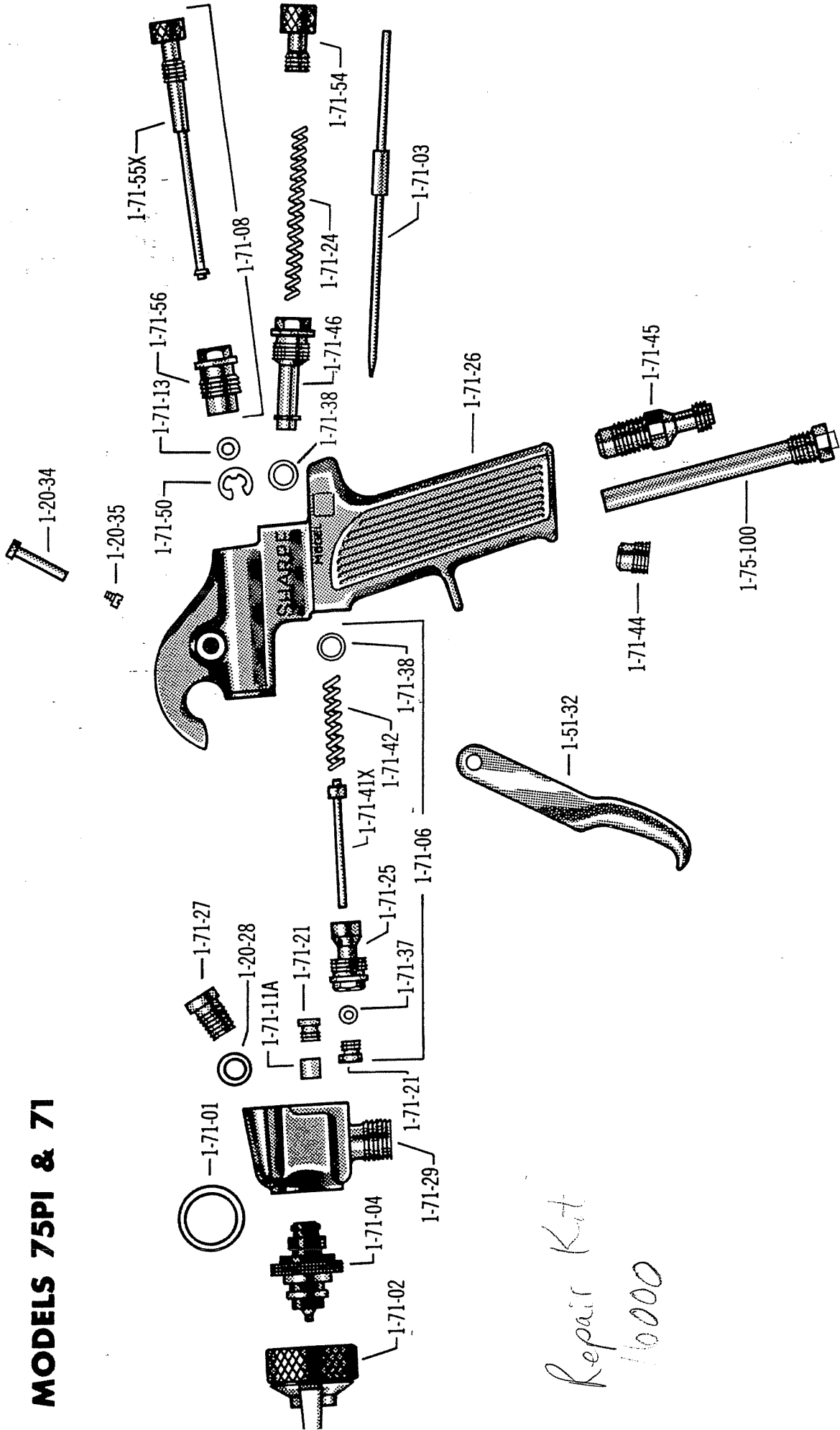


MODELS 75PI & 71

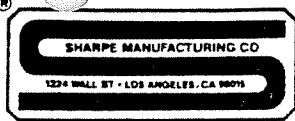


*Repair Kit
16000*

Part Number	Computer Number	Description	71 Quan. Req.	75 P.i. Quan. Req.
1-20-28	10326	Head Attachment Gasket	1	1
1-20-34	10332	Trigger Shaft	1	1
1-20-35	10333	Trigger Screw	1	1
1-51-32	14122	Trigger	1	1
1-71-01	16100	Tip Gasket	1	1
1-71-02	*	Air Nozzle, External	1	1
1-71-03	*	Fluid Needle Assy.	1	1
1-71-04	*	Fluid Tip	1	1
1-71-06	16132	Air Valve Assy.	1	1
1-71-08	16134	Spray Width Adjuster Assy.	1	1
1-71-11A	16137	Fluid Needle Packing	1	1
1-71-13	16139	Spray Width Control Packing	1	1
1-71-21	16147	Fluid Needle Packing Nut	2	2
1-71-24	16150	Fluid Needle Spring	1	1
1-71-25	15151	Air Valve Cage	1	1
1-71-26	16152	Gun Handle	1	1
1-71-27	16153	Head Attachment Screw	1	1
1-71-29	16155	Gun Head	1	1
1-71-36		Air Valve Packing Nut	Superceded by 1-71-21	
1-71-37	16162	Air Valve Packing	1	1
1-71-38	16163	Air Valve Cage Gasket	2	2
1-71-41X	16166	Air Valve	1	1
1-71-42	16167	Air Valve Spring	1	1
1-71-43		Material Control Bushing Gasket	Superceded by 1-71-38	
1-71-44	16169	Plug	1	0
1-71-45	16170	Air Inlet Nipple	1	1
1-71-46	16171	Material Control Bushing	1	1
1-71-50	16175	Spray Width Control "E" Clip	1	1
1-71-54	16179	Material Control Knob	1	1
1-71-55X	16180	Spray Width Control Knob & Valve	1	1
1-71-56	16181	Spray Width Control Body	1	1
1-75-100	16725	Pressure Indicator	0	1

***AIR CAP AND FLUID TIP COMBINATIONS FOR MODELS * 71 AND * 75 PI SPRAY GUNS**

NOZZLE COMBOS ADD TO BASIC GUN NO	MIX	AIR CONSUMPTION			AIR CAP & RING	FL TIP	FL. NEEDLE	FEED		REMARKS
		S	P	S				P		
2-70	Ext	3.2 CFM @ 30 PSI	4.0 CFM @ 40 PSI	5 CFM @ 50 PSI	1-71-02 #2 COMP #16101	(.070) 1-71-04-70 COMP #16126	1-71-03-70N COMP #16120	YES	YES	REQUIRES ONLY 1 H.P.
6-70	Ext	6 CFM @ 40 PSI	7 CFM @ 50 PSI	8 CFM @ 60 PSI	1-71-02 #6 COMP #16105	(.070) 1-71-04-70 COMP #16126	1-71-03-70N COMP #16120	NO	YES	REQUIRES ONLY 1½ H.P.
6S-70	Ext	6 CFM @ 40 PSI	7 CFM @ 50 PSI	8 CFM @ 60 PSI	1-71-02 #6S COMP #16106	(.070) 1-71-04-70 COMP #16126	1-71-03-70N COMP #16128	YES	YES	REQUIRES ONLY 1½ H.P.
10-55	Ext	7.6 CFM @ 30 PSI	9.2 CFM @ 40 PSI	10.8 CFM @ 50 PSI	1-71-02 #10 COMP #16111	(.055) 1-71-04-55 COMP #16128	1-71-03-45N COMP #16119	YES	YES	EXTRA FINE ACRYLIC URETHANE FINISHING
8-70	Ext	7.6 CFM @ 30 PSI	9.2 CFM @ 40 PSI	10.8 CFM @ 50 PSI	1-71-02 #8 COMP #16108	(.070) 1-71-04-70 COMP #16126	1-71-03-70N COMP #16120	YES	YES	HIGH SPEED PRODUCTION
9P-45	Ext	9.4 CFM @ 30 PSI	12.5 CFM @ 40 PSI	15.7 CFM @ 50 PSI	1-71-02 #9P COMP #16109	(.045) 1-71-04-45 COMP #16125	1-71-03-45N COMP #16119	NO	YES	PRESSURE FEED HIGH PRODUCTION
P.G.	Ext	7.3 CFM @ 30 PSI	9.0 CFM @ 40 PSI	10.8 @ 50 PSI	1-71-02 #PG COMP #16115	(.090) 1-71-04-90 COMP #16127	1-71-03-90N COMP #16122	YES	YES	PRIMER SURFACER AND GLITTER
10-70	Ext	7.8 CFM @ 30 PSI	9.3 CFM @ 40 PSI	11 CFM @ 50 PSI	1-71-02 #10 COMP #16111	(.070) 1-71-04-70 COMP #16126	(.070) 1-71-03-70N COMP #16120	YES	YES	EXTRA FINE HIGH SPEED PRODUCTION
CC-70	Ext	8.2 CFM @ 30 PSI	9.7 CFM @ 40 PSI	11.5 CFM @ 50 PSI	1-71-02 #CC COMP #16113	(.070) 1-71-04-70 COMP #16126	(.070) 1-71-03-70N COMP #16120	YES	YES	CLEAR COAT APPLICATION



FACTORY: 1224 Wall Street, P.O. Box 15042, Los Angeles, California 90015-0042 ■ (213) 749-4368
 WAREHOUSE: 1100 W. 37th Street, Chicago, Illinois 60609 ■ (312) 847-1177